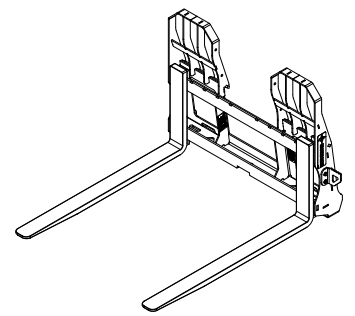
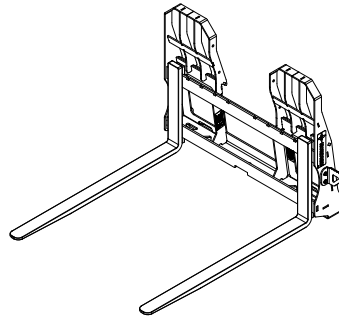




SSPF 2500
SSPF 4000

NORDEN Skid Steer Pallet Fork



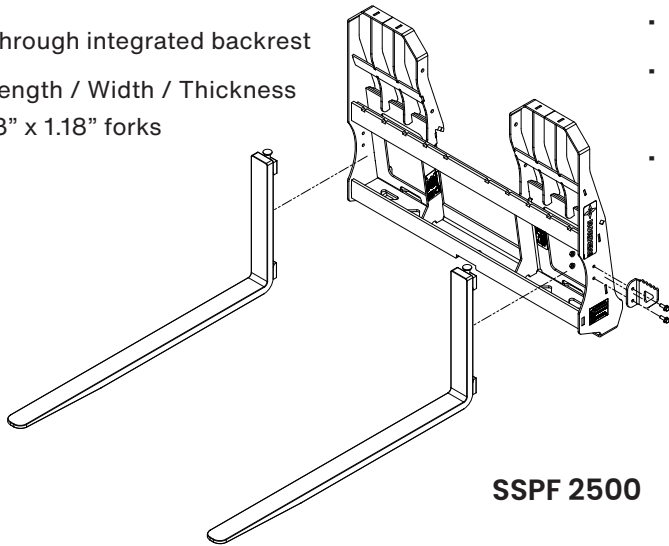
The Norden Skid Steer Pallet Forks are an attachment that mounts to a skid steer loader or a tractor equipped with a loader having similar mounting capabilities. It is designed to move heavy pallet loads with ease.

Skid Steer Pallet Fork

SSPF

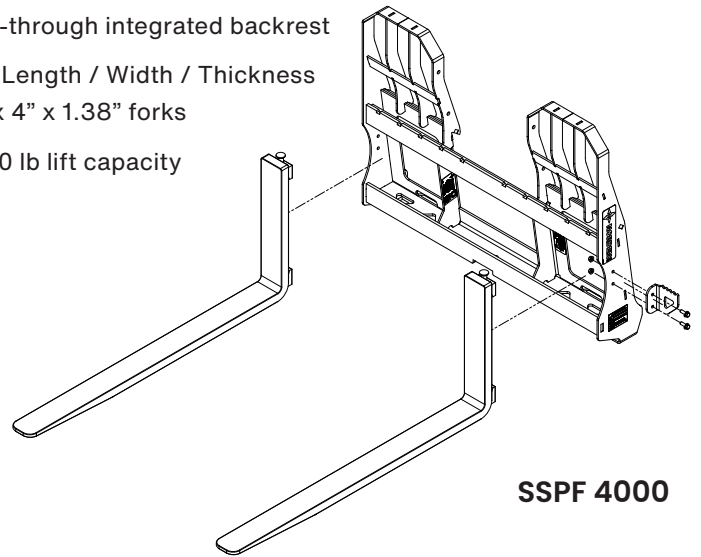
Norden Skid Steer Pallet Forks are available in two different options made for your heavy moving needs. Both models have a walk through integrated backrest allowing a 2,000lb. or 4,000lb. load capacity and features an overall fork thickness of 1.18" or 1.38". The fork widths expand up to 44.5" and are in increments of 2.875".

- Adjustable width of 44.5" in 3" increments
- Walk-through integrated backrest
- Fork Length / Width / Thickness 48" x 3" x 1.18" forks



SSPF 2500

- Adjustable width of 44.5" in 3" increments
- Walk-through integrated backrest
- Fork Length / Width / Thickness 48" x 4" x 1.38" forks
- 4,000 lb lift capacity



SSPF 4000

Specifications

Model	Description	Weight	Overall L x W x H	Load Capacity	Fork Length	Fork Width	Fork Thickness	Adjustable Width
SSPF 2500	Skid Steer Pallet Fork	300 lb.	57"L x 49"W x 36"H	2,500 lb.	48.00"	3.00"	1.18"	Up to 44.5" in increments of 2.875"
SSPF 4000	Skid Steer Pallet Fork	356 lb.	57"L x 49"W x 36"H	4,000 lb.	48.00"	4.00"	1.38"	Up to 44.5" in increments of 2.875"
Center Fill Weldment 1032630	Additional backrest support (eliminates walk-through)	18 lb.	17.87"L x 4"W x 15.5"H					



(877) 296-5851
nordenmfg.com

