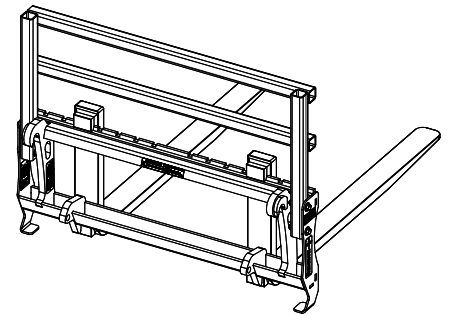
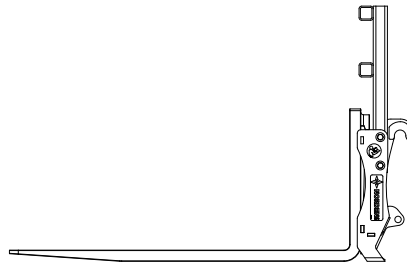
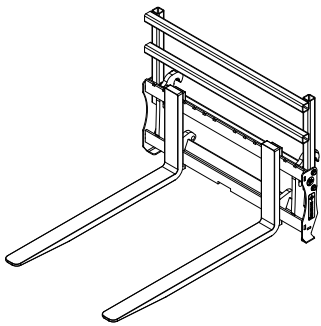




EPF 5500

# NORDEN Euro Pallet Fork

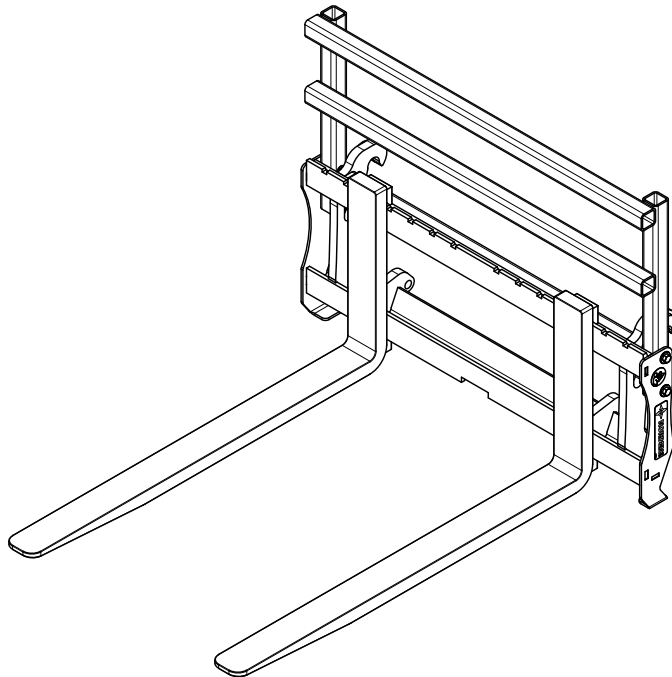


The Norden Euro Pallet Forks are an attachment that mounts to a loader or a tractor equipped with a loader having similar mounting capabilities. It is designed to move heavy pallet loads with ease.

# EURO Pallet Fork

## EPF 5500

Norden Euro Pallet Forks are made for your heavy moving needs. It has a fully removable backrest with a 5,500lb. load capacity and features an overall fork thickness of 1.57 ". The fork widths expand up to 47" and are in increments of 3".



## Specifications

Model	Description	Weight	Overall Length	Nominal Blade Dimensions	Metric Blade Dimensions	Load Capacity	Fork Thickness	Adjustable Width
EPF 5500	Full removable backrest	300	47.5"	4.00" x 1.50" x 48.00"	100 x 40 x 1220 mm	5500 lb.	1.57" (40mm)	Up to 47", Increments of 3"



877-296-5851  
nordenmfg.com

