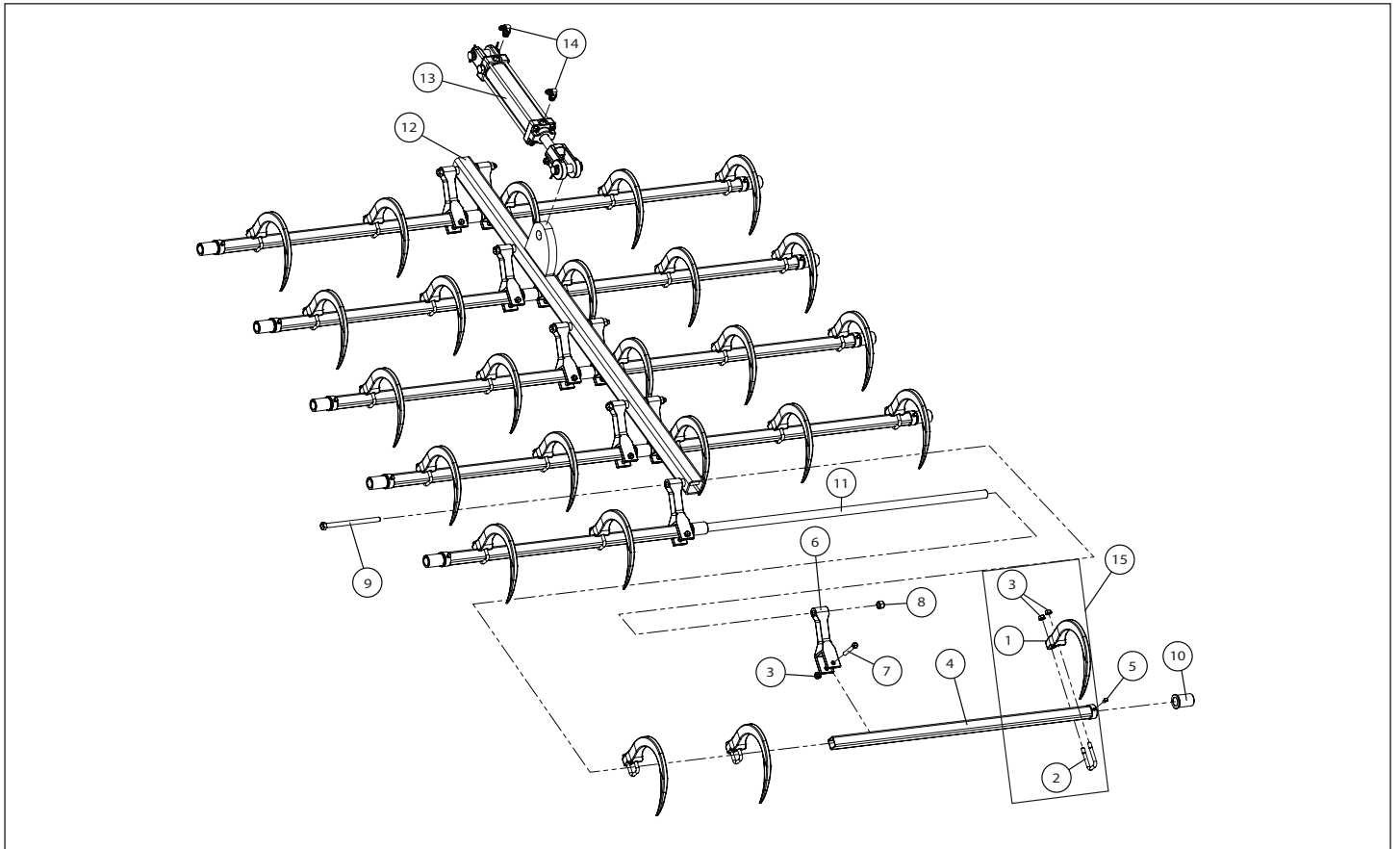




**NORDEN** MFG

# Grabber Parts Diagram



Item	Part Number	Description	Qty.
1	1005721	Bale Hook	16-36
2	1006881	Grabber Hook U-bolt	16-36
3	1006190	3/8" Serrated Flange Nut	40-84
4	1005450	Grabber Hook Tube, 31.5"	4-12
	1005460	Grabber Hook Tube, 33.5"	
	1005470	Grabber Hook Tube, 41"	
5	1006870	Square Head Set Bolt, 5/16"-18 X 1/2"	8-12
6	1005710	Actuator Arm	8-12
7	1006860	3-8 16 x 2.5 Hex Bolt Grade 5	8-12
8	1006110	1-2 13 Nylock Nut Grade 5	4-6
9	1006270	1-2 13 x 7 Hex Bolt Grade 5	4-6
10	1005700	UHMW Bushing	12-18

Item	Part Number	Description	Qty.
11	1005430	Grabber shaft, 71.75"	4-6
	1005440	Grabber shaft, 88 7/8"	
12	1005340	408F Center Bar	1
	1005350	510 Center Bar	
	1005360	510F Center Bar	
	1005370	615, 618 Center Bar	
	1005380	615L, 618L Center Bar	
13	1000360	2x8 ASAE Hydraulic Cylinder	1
14	1009690	3/8" 90° Hydraulic Fitting	2
15	1017460	Grabber Hook with U-bolt	16-36